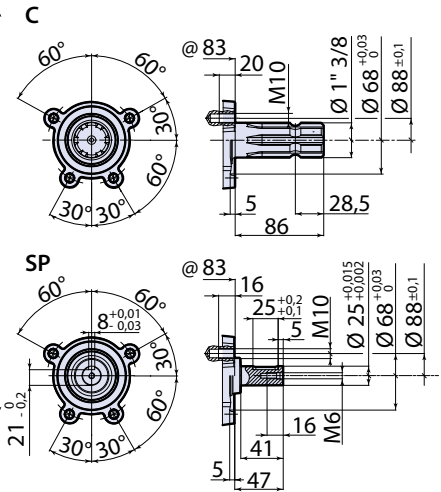
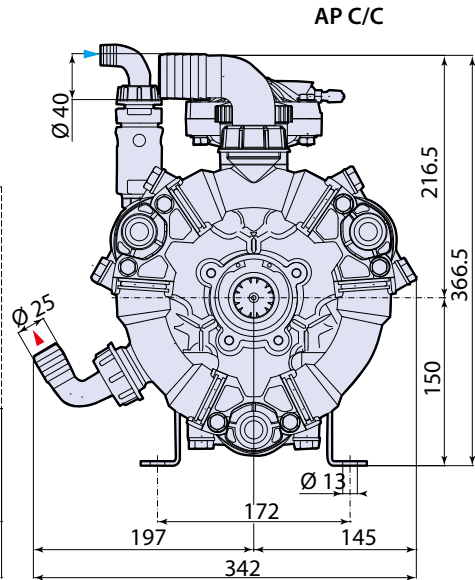
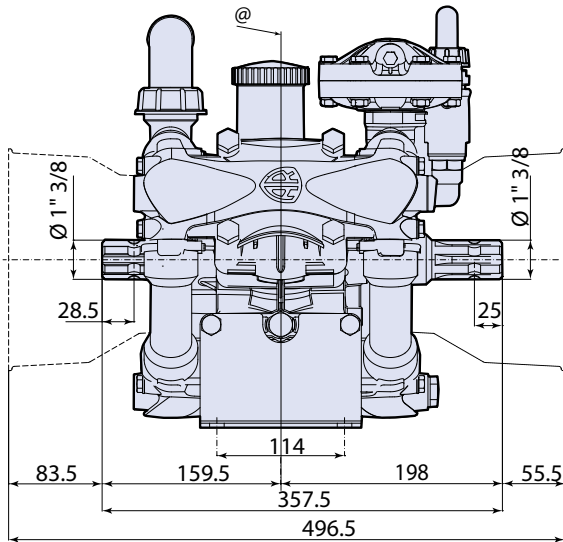




AR 120 LFP - AR 140 LFP



@ = Pump axis - 泵中心线